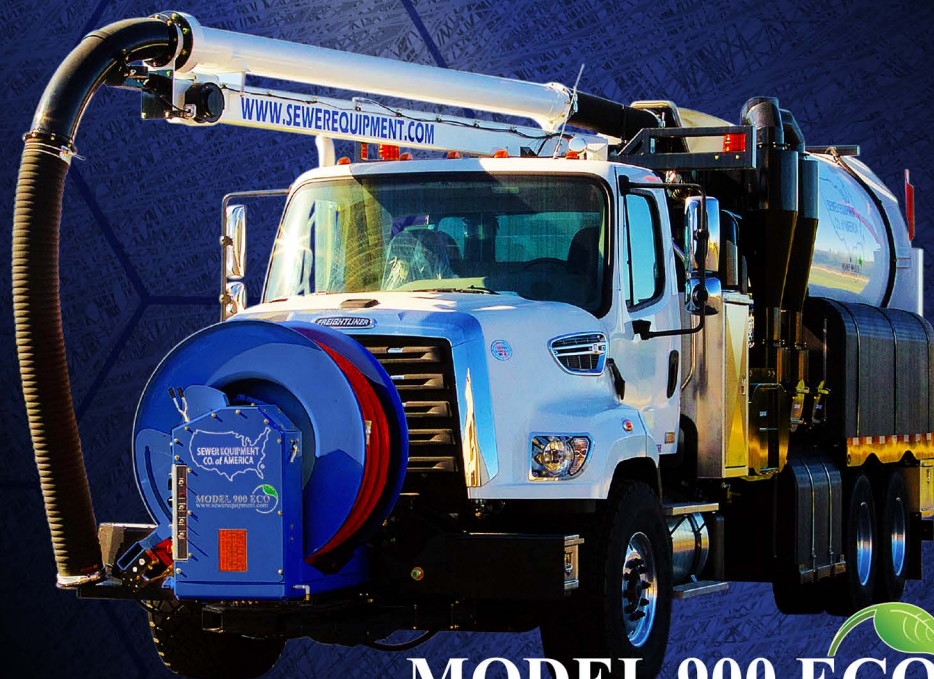


# SEWER EQUIPMENT CO. of AMERICA

SEWER EQUIPMENT  
CO. of AMERICA



MODEL 900 ECO



# BEST PRODUCTS, BEST LOCAL SUPPORT



## 900 ECO Truck

Sewer Equipment Co. of America introduces the 900 ECO Combination Sewer Cleaner utilizing proven technologies to deliver a machine with simplicity that is unequalled in the industry. As with our leading 747 ECO trailer jet and 800-HPR ECO truck jet, the Model 900 ECO operating platform offers the best in class fuel efficiency and noise reduction for operator safety. Sewer Equipment: Best Products, Best Local Support.



Life used to be so simple, and chances are, so was your combination truck. All indicators are that times have changed in the equipment market, and users are being forced to accept increased complexity when they purchase a new piece of equipment. Operators, mechanics and supervisors are left wondering what happened to their old truck that was so easy to operate and maintain.

At Sewer Equipment, we have been wondering the same thing. Do things like CAN Bus communication systems, touch screen interfaces and computer controlled logic result in increased productivity, cost effectiveness, operator satisfaction, reliability, longevity or safety? In talking to most owners, the answer is an emphatic, "NO!"

Introducing the Sewer Equipment Co. of America Model 900 ECO, a machine that puts safety, simplicity and reliability back into your work day. How do we do it?

It starts with our exclusive "Hydro Drive" powertrain system, which powers the pump, the blower and the auxiliary hydraulic systems. When you are ready to work, simply put the truck in neutral, apply the parking brake and exit the cab. The truck remains in neutral and power is taken directly from the chassis engine, assuring operator safety during operation, as there is no transfer case to slip into gear.

We have made the operator interface as easy as 1-2-3-4. An operator must flip a switch to put the truck into "Work Mode" and from there you can engage switches for the water pump, blower and throttle. No special sequence, that's it!

The simplicity continues as our unit is also controlled via 12 volt switches, relays and solenoids, as well as manual hydraulic controls. Operators can be trained to safely operate the truck in minutes, not days or weeks. Mechanics can perform diagnostic analysis with a simple test light and a hydraulic pressure gauge, no laptop with special programs required.

The Model 900 ECO also operates at 35% lower RPM's than the competition, consuming considerably less fuel than traditional designs, adding to your bottom line each year. Perhaps more importantly, lower RPM's equate to less noise emission. Complaints from residents are minimized, and operators enjoy a higher level of safety when they can hear each other and the traffic around them.

So, why has equipment become so complex? Most manufacturers in the sewer cleaning industry have chosen to use CAN Bus communication to control functions via ECU's (Electronic Control Units) on their units. In theory, this technology promises ease of operation and troubleshooting, as well as increased efficiency and productivity. However, in reality, operators are faced with a truck that requires navigation of control menus to perform simple functions, and a truck that mechanics cannot diagnose without specialized training and a laptop equipped with the proper diagnostics program. All things combined, the claim of increased efficiency and productivity quickly dissolves.

Whether you choose your next combination truck based on productivity, reliability, safety, overall value, ease of operation, ease of maintenance or any combination of these traits, the choice is simple: the Model 900 ECO.



# TOLL FREE 800.323.1604

# MODEL 900 ECO



**WATER TANK PROFILE:** Exclusive Duraprolene™ construction offers 100% immunity to corrosion and dents for unparalleled service life and eliminates the need for draining during storage. The fully baffled construction eliminates sloshing and allows safe travel while full, or partially full of water.



**POWERTRAIN:** The most advanced powertrain in the industry, our exclusive "Hydro Drive" powertrain system takes all required power directly from the chassis engine. There is no need for an auxiliary engine, and unlike most other designs, our truck remains in neutral while in work mode, increasing operator peace of mind and safety, as no transfer case is needed.



**START UP:** Operator simplicity begins in the cab. Simply put the truck in neutral and engage the parking brake. That's it! All other jetting and vacuum functions are controlled from the operator interface on the hose reel.



**CHASSIS INTEGRATION:** Sewer Equipment's only interface between our module and the chassis is via the OEM throttle control port. This intentional lack of integration eliminates problems caused by CAN Bus communication issues between the chassis and module, which are typical on competitor's designs. If this seems like an insignificant detail, please ask for your fleet manager's opinion.



**OPERATOR INTERFACE:** Going to work is as simple as 1-2-3-4. Simply engage the following switches:

1. Work Mode - ON
2. Water Pump - ON
3. Blower - ON
4. Throttle - ON

You are now jetting and vacuuming. Compare this to the "rocket ship" controls of other equipment that include touch screens and digital displays. Our easy-to-use and easy-to-understand controls enhance safety and long term reliability, while making an operator's job more pleasant.

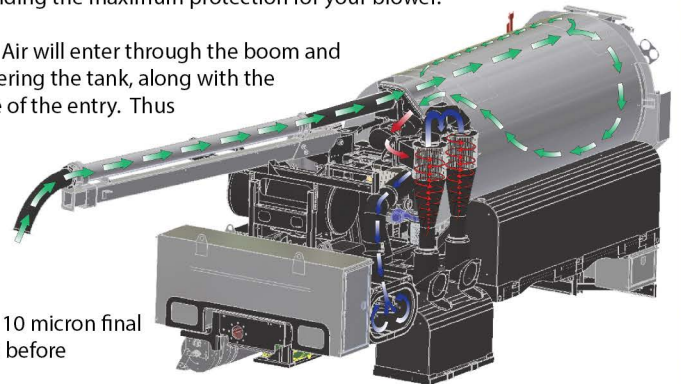
## Air Flow System

The air system is the secret behind our industry leading performance. Our air system is designed to deliver industry leading air movement, while providing the maximum protection for your blower.

The first stage in the air system is the debris tank. Air will enter through the boom and material will impact the back of the debris tank and start to drop into the tank. The air entering the tank, along with the material, is routed from the single 8" entry point to dual 10" exit points located at each side of the entry. Thus slowing down the air flow and improving material separation.

The second stage of the air system takes the air from the tank and routes it into our cyclone separators. At this point the cyclonic action of these separators propel any remaining material to the side walls and then down into an easily maintained collection box.

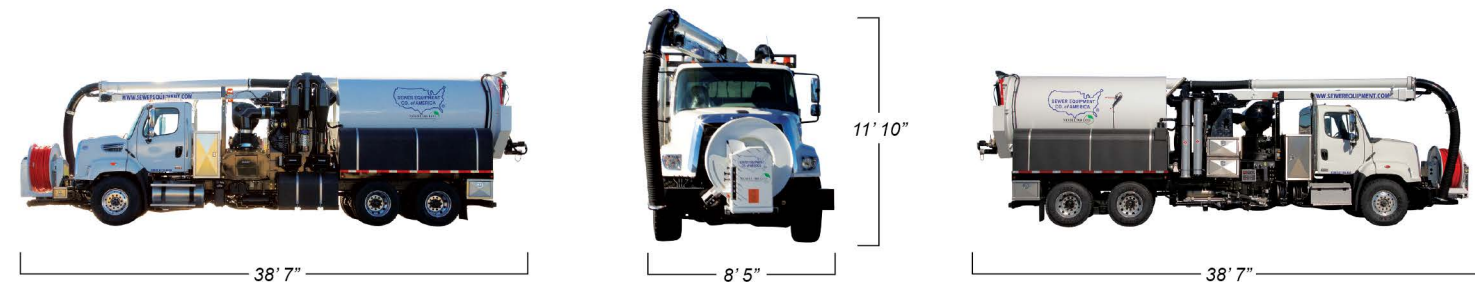
In the final stage of the air system, the air moves from the cyclone separators into the dual 10 micron final filters. These washable filters will capture any remaining fine particles still in the air stream before allowing the air to pass through the positive displacement blower.



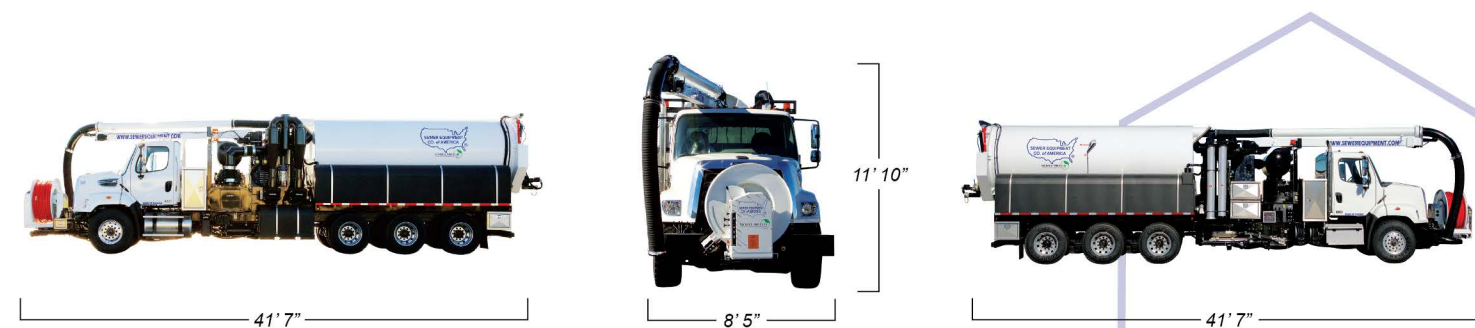
# BEST PRODUCTS, BEST LOCAL SUPPORT



MODEL	DEBRIS CAPACITY	LENGTH	WIDTH	HEIGHT	MAX WATER CAPACITY	AXLE CONFIGURATION	MAX HOSE CAPACITY	HOSE SIZE	MIN HP	BOOM EXTENSION
<b>9 YRD</b>	9 YARD	35' 7"	8' 5"	11' 10"	1400 gallon	Single Axle	800'	3/4" - 1"	370 HP	10'



MODEL	DEBRIS CAPACITY	LENGTH	WIDTH	HEIGHT	MAX WATER CAPACITY	AXLE CONFIGURATION	MAX HOSE CAPACITY	HOSE SIZE	MIN HP	BOOM EXTENSION
<b>12 YRD</b>	12 YARD	38' 7"	8' 5"	11' 10"	1750 gallon	Tandem Axle	800'	3/4" - 1"	370 HP	10'



MODEL	DEBRIS CAPACITY	LENGTH	WIDTH	HEIGHT	MAX WATER CAPACITY	AXLE CONFIGURATION	MAX HOSE CAPACITY	HOSE SIZE	MIN HP	BOOM EXTENSION
<b>15 YRD</b>	15 YARD	41' 7"	8' 5"	11' 10"	2100 gallon	Tridem or Tandem w/ Pusher Axle	800'	3/4" - 1"	370 HP	10'

**TOLL FREE 800.323.1604**

# MODEL 900 ECO

Water System		Truck		Hose Reel & Hose	
Cold Weather Recirculation System	S	Air Purge Winterization System	O	Front Mounted Telescoping & Rotating	S
2.5" Hydrant Fill System	S	Tow Hooks (2)	O	800' x 1" Capacity	S
Air Purge Valve	S	Combination Heavy Duty/Ball Pintle	O	10' Leader Hose	S
Variable Volume Delivery	S	Central Lubrication System	O	Single Side Controls	S
Low Water Warning Light	S	Hydraulic Tool Circuit via Hydraulic	O	Automatic Level Wind with Hydraulic Up/Down Action	O
Analog Pressure Display	S	Diverter Valve	O	Digital "SMART COUNTER" Footage Meter	O
Front and Rear Hand Gun Ports	S	<b>Debris Tank &amp; Rear Door</b>		Secondary Operators Station	O
Fill Hose Storage Rack	O	9 Cubic Yard Capacity	S	Pinch Roller	O
Standard Hydro Excavation Cleaning Kit	O	12 Cubic Yard Capacity	O	Testing Fee	O
Cold Weather Hydroexcavation Cleaning Kit	O	15 Cubic Yard Capacity	O	Sewer Hose (1" I.D., 2500 P.S.I. Operating Pressure) Per Ft	O
2" Y-Strainer on Inlet Fill System	O	Debris Level Indicator	S	Sewer Hose (3/4" I.D., 3000 P.S.I. Operating Pressure) Per Ft	O
Anti-Freeze System	O	Hydraulic Dump, 50 Degree Dump Angle	S	25' x 1" Leader Hose	O
<b>Water Pumps</b>		Dual Ported Rear Door w/ Knife Valve	S	<b>Electrical</b>	
Triplex <b>Plunger</b> Water Pump w/ 30 Minute Run-Dry: 65 gpm @ 2000 PSI Performance	S	Dump Height 60"	S	NEMA 4 Control Panel	S
Triplex <b>Plunger</b> Water Pump w/ 30 Minute Run-Dry: 80 gpm @ 2000 PSI	O	Hydraulic Open/Close/Lock Door	S	Hour Meter (Blower & Water Pump)	S
Triplex <b>Plunger</b> Water Pump w/ 30 Minute Run-Dry: 55 gpm @ 3000 PSI	O	Debris Body Pump Off System	O	Military Spec. Sealed Switches	S
Single Piston 65 GPM @ 2500 PSI Water Pump	O	Debris Liquid Level Audible Alarm	O	Wireless Remote Control Pendant	O
Single Piston 80 GPM @ 2500 PSI Water Pump	O	Additional 6" Knife Valve on Rear Door Complete with Inlet Strainer	O	Wired Remote Control Pendant w/35' Cord	O
Accumulator for Single Piston Pump	O	Decant Screen on Rear Door Port	O	Enhanced Visibility Camera System	O
<b>Water Tanks</b>		Debris Inlet Water Misting System	O	LED Rotating Beacon	O
Black Durapropylene Water Tank Construction	S	<b>Boom</b>		LED Strobe Light	O
900 Gallon Capacity Water Tank	S	Hydraulic Powered Boom	S	Limb Guard	O
Base 1200 Gallon Black Durapropylene Water Tank ( <b>debris box saddle</b> )	O	180 Degree Working Radius	S	LED Arrow Board	O
Base 1500 Gallon Black Durapropylene Water Tank ( <b>debris box saddle</b> )	O	10' Extendable Design	S	LED Arrow Stick	O
Additional 200 Gallon Durapropylene Water Tank ( <b>driver side rail</b> )	O	70 Degree Steel Elbow	S	LED Panel Mounted Work Light	O
Additional 150 Gallons Durapropylene Water Tank ( <b>between rails</b> )	O	Telescoping Boom System	O	LED Manhole Area Work Light	O
Additional 200 Gallons Durapropylene Water Tank ( <b>between rails</b> )	O	<b>Vacuum System</b>		LED Curbside Body Mounted Work Light	O
Additional 250 Gallons Durapropylene Water Tank ( <b>between rails</b> )	O	4400 CFM Blower	S	LED Boom Mounted Work Lights (2)	O
Upgrade Durapropylene Water Tank From 7yr to 10yr Warranty	O	8" Vacuum Hose System	S	LED Rear Mounted Work Lights (2)	O
Water Tank Low Level Audible	O	18" Hg Vacuum Rating	S	LED Handheld Wireless 12v/110 Rechargeable	O
<b>Manual &amp; Training</b>		Dual Cyclone Separator	S	LED Spotlight w/Storage	O
(1) Paper Owner's Manual	S	Dual Element 10 Micron Final Filter	S	<b>Accessories</b>	
Additional Paper Operators Manual	O	Remote Vacuum Relief	S	(3) 8" x 6' Extension Tubes	S
Cd-Rom Operator's Manual	O	Variable Volume Delivery	S	(1) 8" x 4' Extension Tubes	S
Onsite Factory Training (1 day)	O	Analog Vacuum Display	O	(1) 6" x 10' Lay Flat Hose	S
Onsite Factory Training (additional per/day)	O	<b>Toolbox Configurations</b>		(1) 8" x 6' Crowned Suction Nozzle	S
		(1) Alum Toolbox 24" x 36 x 96" - Behind Cab	S	(5) Quick Clamps	S
		(2) Alum Toolbox 18" x 18" x 30" - Passenger	S	BB Hose Guide	S
		(2) Alum Toolbox 18" x 18" x 24" - Rear	S	Toolbox Configurations	S
		(1) Alum Long Handle Storage - Rear	S	Tri-Star (chisel point) nozzle	S
		Additional 18" x 18" x 30" Aluminum Toolbox	O	DD (high flow) nozzle	S
		Bumper Mounted Aluminum Tool Box	O	Finned Nozzle Extension	S
		(1) 12" x 12" x 14"	O	Nozzle Rack	S
		<b>Paint (Module)</b>		25' Fill Hose	S
		Debris Tank - Boom: Standard White	S	Upstream Pulley Guide	S
		Hose Reel - Upright: Sewer Blue	S	Washdown gun w/ 25' ext. hose	S
		All Other Colors ( <b>all colors except metallics</b> )	O	(1) Fan Nozzle (for Washdown Gun)	S
				(1) Hydrant Wrench	S
				LED D.O.T. Approved Lighting	S
				(6) 18" D.O.T. Safety Cones and Holder	S

Legend	
Standard	S
Optional	O

MODEL	DEBRIS CAPACITY	LENGTH	WIDTH	HEIGHT	MAX WATER CAPACITY	AXLE CONFIGURATION	MAX HOSE CAPACITY	HOSE SIZE	MIN HP	BOOM EXTENSION
900 ECO	9 YARD	35' 7"	8' 5"	11' 10"	1400 gallon	Single Axle	800'	3/4" - 1"	370 HP	10'
	12 YARD	38' 7"	8' 5"	11' 10"	1750 gallon	Tandem Axle	800'	3/4" - 1"	370 HP	10'
	15 YARD	41' 7"	8' 5"	11' 10"	2100 gallon	Tridem or Tandem w/Pusher Axle	800'	3/4" - 1"	370 HP	10'



# SEWER EQUIPMENT CO. of AMERICA

Revised 05/17

Contents are copyrighted by Sewer Equipment Company of America

Products subject to change without notification.

Actual products may not be an exact match to product as shown.

**800.323.1604**  
**[www.sewerequipment.com](http://www.sewerequipment.com)**

